

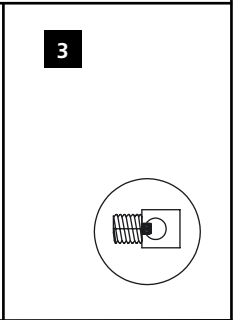
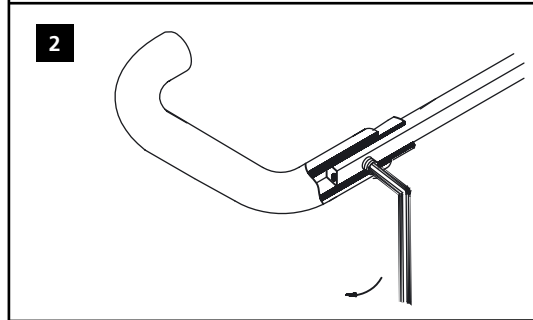
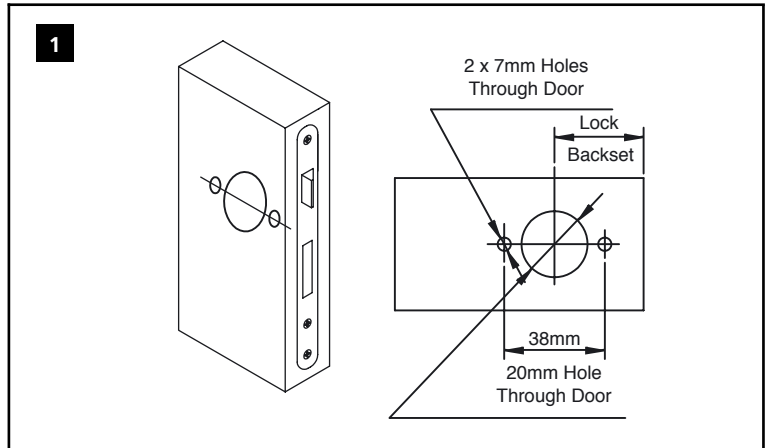
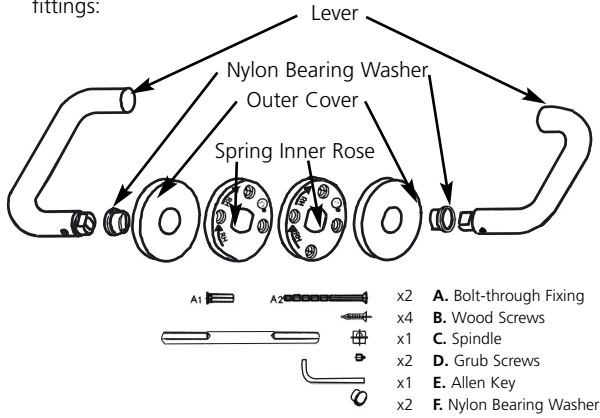
FIXING INSTRUCTIONS (SL)

Standard bolt through fixings and spindles are provided to suit door thickness 40 to 50mm.

For thicker doors, door thickness should be stated and longer fixings and spindles requested.

The lever handles are fixed to a special spindle by way of a threaded grub screw passing through the neck of the lever and breaking into the spindle. This type of fixing is extremely secure and allows for both easy and accurate adjustment of the door furniture.

The lever and rose/plate are supplied with the following fittings:



FIXING

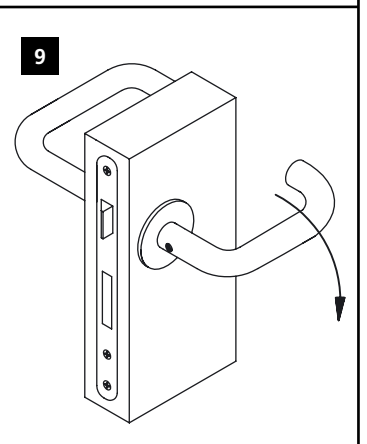
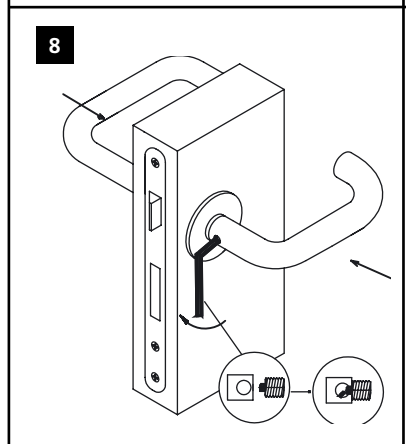
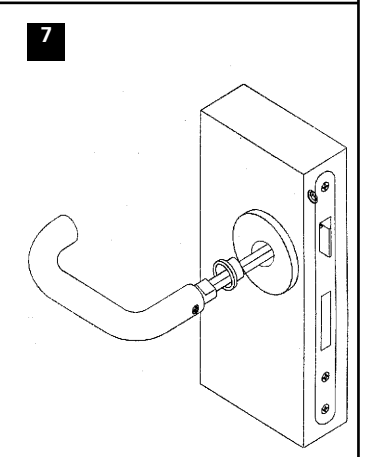
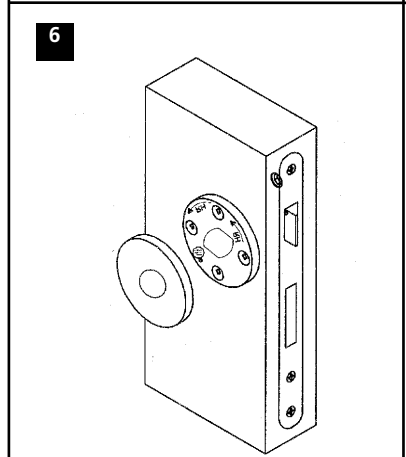
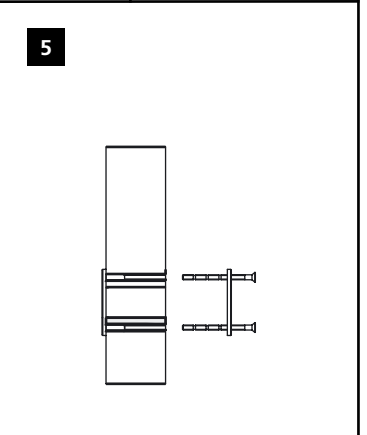
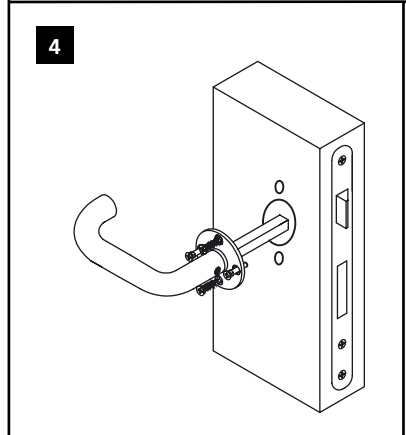
1. Prepare the door as shown in (Fig 1) by drilling 20mm hole in line with the follower backset
2. Insert the spindle (Fig 2) in one lever so that the centreline of the spindle is central within the door thickness and with the off-centre spindle hole (Fig 3) facing the grub screw in the lever.
3. Loosely engage the grub screw in the spindle with the allen key provided.
4. Place the sprung inner rose on the spindle, ensuring the correct direction of rotation, and position on the door with the spindle inserted through the latch/lock follower. Secure with two wood screws (B) in vertical alignment (Fig 4).

Position the other lever and sprung inner rose on the opposite side of the door, again checking direction of rotation (Fig 4). Secure with two wood screws (B) in vertical alignment.

5. Remove levers. Drill horizontal fixing holes and secure both sprung inner roses with bolt through fixings and tighten to provide stable fixing (Fig 5).

CAUTION: Over-tightening of screws and bolt through fixings may restrict freedom of movement between the levers and roses/backplates.

6. Place the rose/backplate outer covers firmly on the sprung inner roses (Fig 6).
7. Place the nylon bearing washer on the neck of the lever handle and insert the spindle through the sprung inner rose and latch/lock follower (Fig 7), ensuring that the nylon bearing washer is in full contact with the cover rose backplate.
8. Repeat assembly for the loose handle and place in position on the spindle on the opposite side of the door (Fig 8).
9. Press the levers firmly together. Tighten the grub screw in both levers so that the point fully penetrates the spindle (Fig 8). DO NOT use a power screwdriver or drill.
10. Check free movement of the levers (Fig 9).



CATEGORY OF USE	DURABILITY	DOOR MASS	FIRE RESISTANCE	SAFETY	CORROSION RESISTANCE	SECURITY	TYPE OF OPERATION
2	6	-	1	1	4	0	B